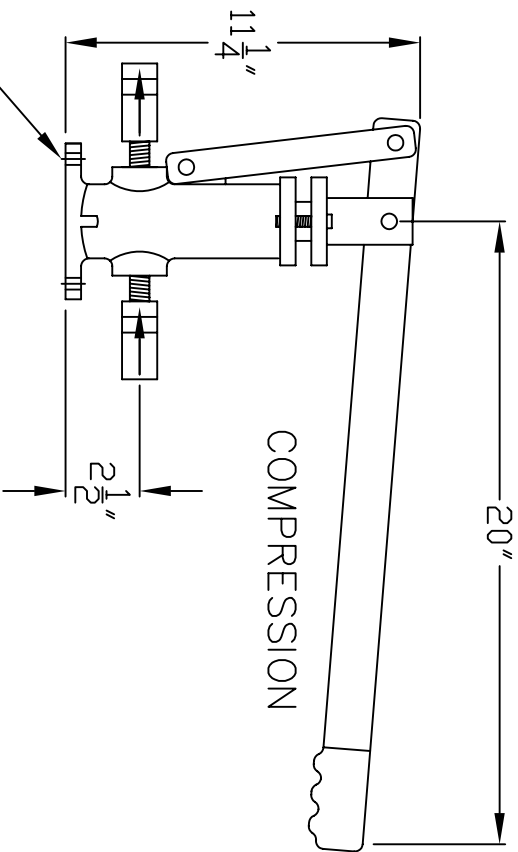
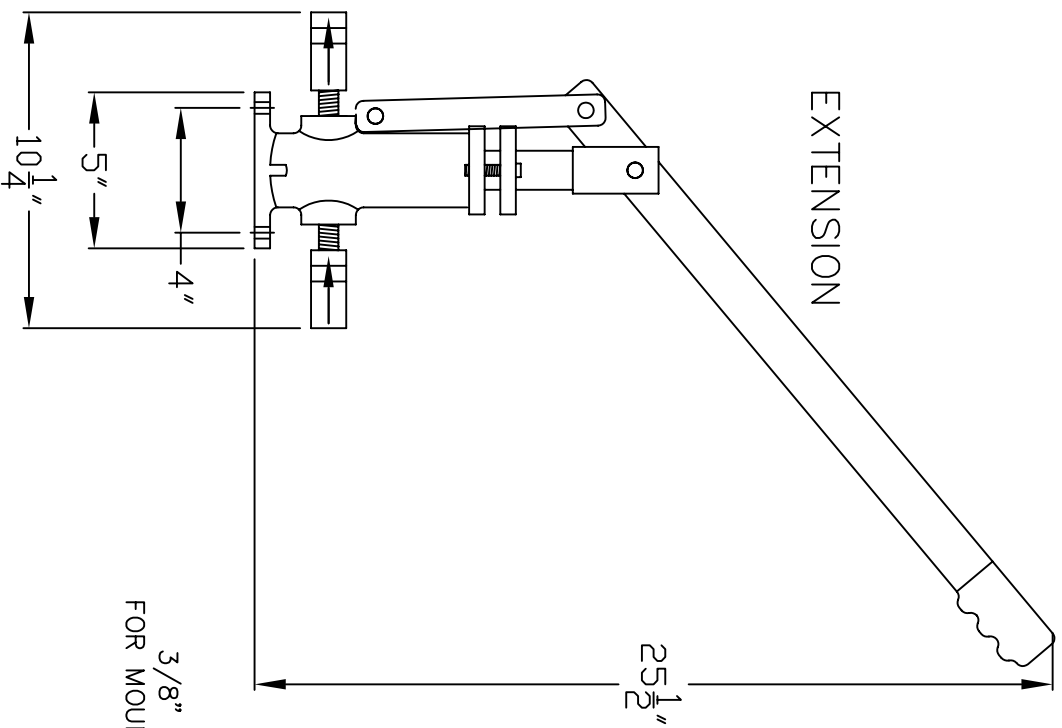


MODEL #	MAX PSI	PISTON DIA.	STROKE LENGTH	PORTS FNPT	WEIGHT LBS.
HT-200	200	1.5"	2.25"	1/2"	20
HT-500	500	1.0"	2.25"	1/2"	20
HT-1000	1000	0.75"	2.25"	1/2"	20
HT-3000	3000	0.5"	2.25"	1/2"	20
HT-5000	5000	0.375"	2.25"	1/2"	20



FOR MOUNTING
3/8"

ALBANY PUMP CO. LTD.	
DRWN. CMB	420 HARRY WALKER PARKWAY
DATE 02/5/9	NEW MARKET, ONT. CANADA L3Y 8P5
SCALE NONE	HAND PRESSURE PUMP
CHK'D	HT SERIES