



PUMPSET CERT. NO. : 20190411-MH63401  
 PUMP CERT. NO. : 20180802-MP5163  
 STRAINERS CERT. NO. : 20170721-MP5156  
 OVERFILL PROTECTION DEVICES  
 CAN/ULC-S661-10

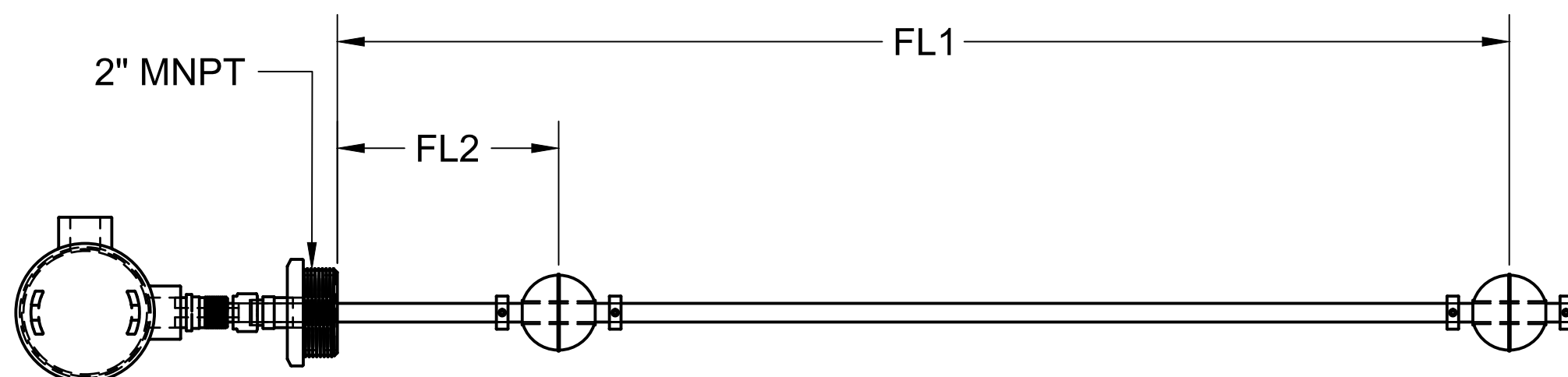
**NOTE :** This drawing and the information depicted therein is the property of Albany Pump Co. Ltd. Copies are issued in strict confidence and shall not be reproduced, copied or used as the basis for the manufacture or sale of products without prior written permission of Albany Pump Co.

**OPERATING CONDITIONS**

Maximum Switching Voltage VOLTS DC/AC	240
Maximum Switching Current AMPS DC/AC	1.0
Maximum Switching Power WATTS DC/AC	50
Maximum Pressure	150 PSI
Float Material	316 SS
Stem Material	316 SS
Operating Temperature	-40F ~ 250F
Max. Operating Temperature	125°C 257°F

**RATING:**

Housing	Nema 4X, Explosion Proof, Class 1, Div 1, Group B, C & D
Switch	Class 1, Div 1, Group A.
Switch Certified To	CAN/CSA STD. C22.2 NO. 1010-1 CAN/CSA STD. C22.2 NO. 30
Conforms To	UL1203 & ANSI/ISA S82-03



**MANUFACTURING HEADQUARTER:**  
 420 Harry Walker pkwy. Newmarket,  
 Ontario Canada, L3Y 8P5  
**Sales Office:**  
 Burnaby, B.C. (Canada)  
 Buffalo, New York, (USA)  
 Phone: (905) 853-9005  
 Toll Free: 1 (888) 334-3348  
 Fax: (888) 335-3391  
 E-mail: sales@albanyump.com  
 www.albanyump.com

**LEVCON - LC800**

FLOAT LEVEL	FL1	FL2
FUNCTION	HIGH LEVEL ALARM	HIGH-HIGH LEVEL ALARM
HEIGHT FROM TOP OF TANK ( % OF TANK VOLUME)	90%	95%
NORMALLY OPEN (NO) / NORMALLY CLOSED (NC)	NC	NC
WIRE COLOUR	BROWN	BLUE

TAG :  
**LEVEL SWITCH**

DRAWN :  
**VP**

MODEL :  
**LEVCON - 2**

SCALE :  
**1:4**