



PUMPSET CERT. NO. : 20190411-MH63401
 PUMP CERT. NO. : 20180802-MP5163
 STRAINERS CERT. NO. : 20170721-MP5156
 OVERFILL PROTECTION DEVICES
 CAN/ULC-S661-10

NOTE : This drawing and the information depicted therein is the property of Albany Pump Co. Ltd. Copies are issued in strict confidence and shall not be reproduced, copied or used as the basis for the manufacture or sale of products without prior written permission of Albany Pump Co.

OPERATING CONDITIONS

| | |
|---------------------------------------|-------------|
| Maximum Switching Voltage VOLTS DC/AC | 240 |
| Maximum Switching Current AMPS DC/AC | 1.0 |
| Maximum Switching Power WATTS DC/AC | 50 |
| Maximum Pressure | 150 PSI |
| Float Material | 316 SS |
| Stem Material | 316 SS |
| Operating Temperature | -40F ~ 250F |
| Max. Operating Temperature | 125°C 257°F |

| | |
|---------------------|--|
| RATING: | |
| Housing | Nema 4X, Explosion Proof, Class 1, Div 1, Group B, C & D |
| Switch | Class 1, Div 1, Group A. |
| Switch Certified To | CAN/CSA STD. C22.2 NO. 1010-1 CAN/CSA STD. C22.2 NO. 30 |
| Conforms To | UL1203 & ANSI/ISA S82-03 |



MANUFACTURING HEADQUARTER:
 420 Harry Walker pkwy. Newmarket,
 Ontario Canada, L3Y 8P5
Sales Office:
 Burnaby, B.C. (Canada)
 Buffalo, New York, (USA)
 Phone: (905) 853-9005
 Toll Free: 1 (888) 334-3348
 Fax: (888) 335-3391
 E-mail: sales@albanyump.com
 www.albanyump.com

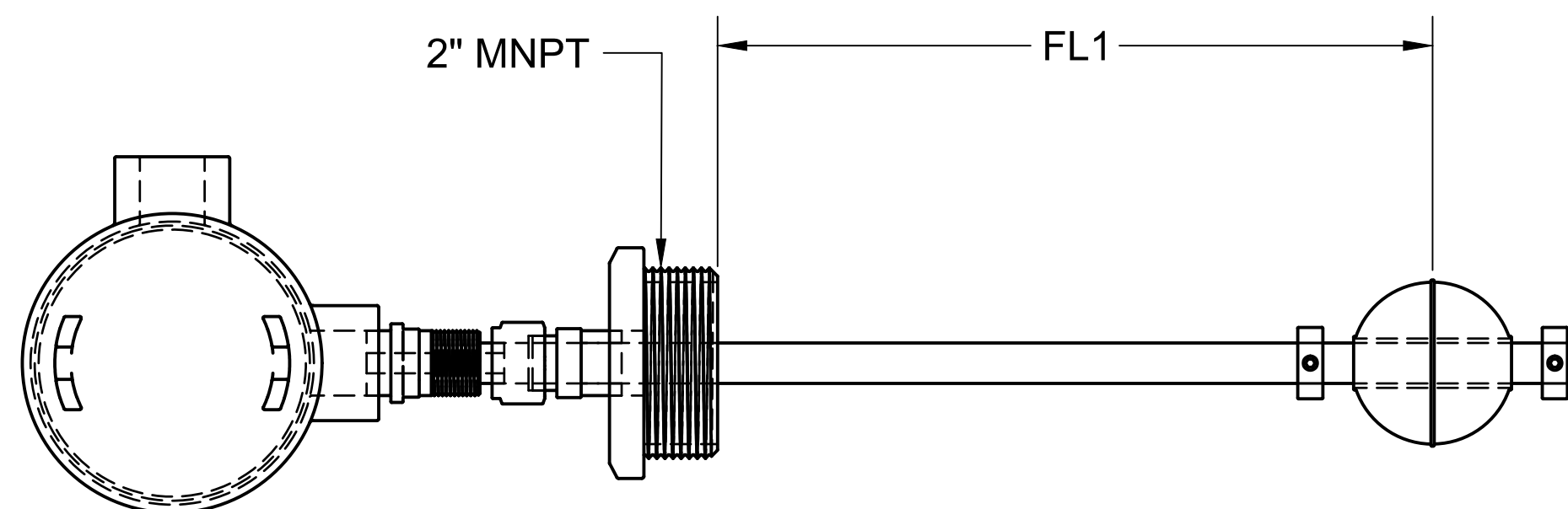
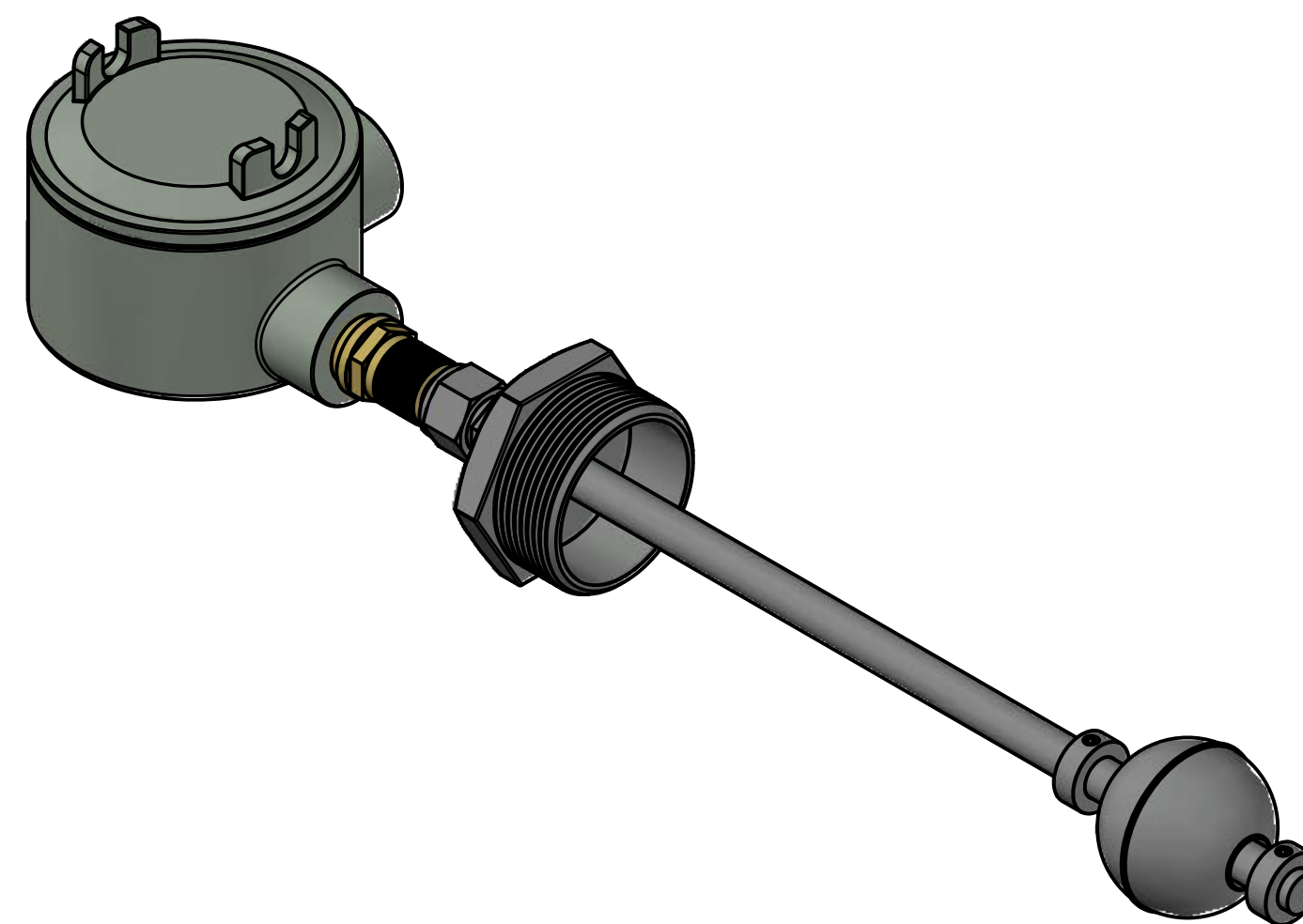
LEVCON - LC800

TAG :
LEVEL SWITCH

DRAWN :
VP

MODEL :
LEVCON - 1

SCALE :
N/A



| | |
|--|------------------------------|
| FLOAT LEVEL | FL1 |
| FUNCTION | SINGLE POINT LEVEL DETECTION |
| HEIGHT FROM TOP OF TANK (% OF TANK VOLUME) | TBD |
| NORMALLY OPEN (NO) / NORMALLY CLOSED (NC) | TBD |
| WIRE COLOUR | BROWN |