


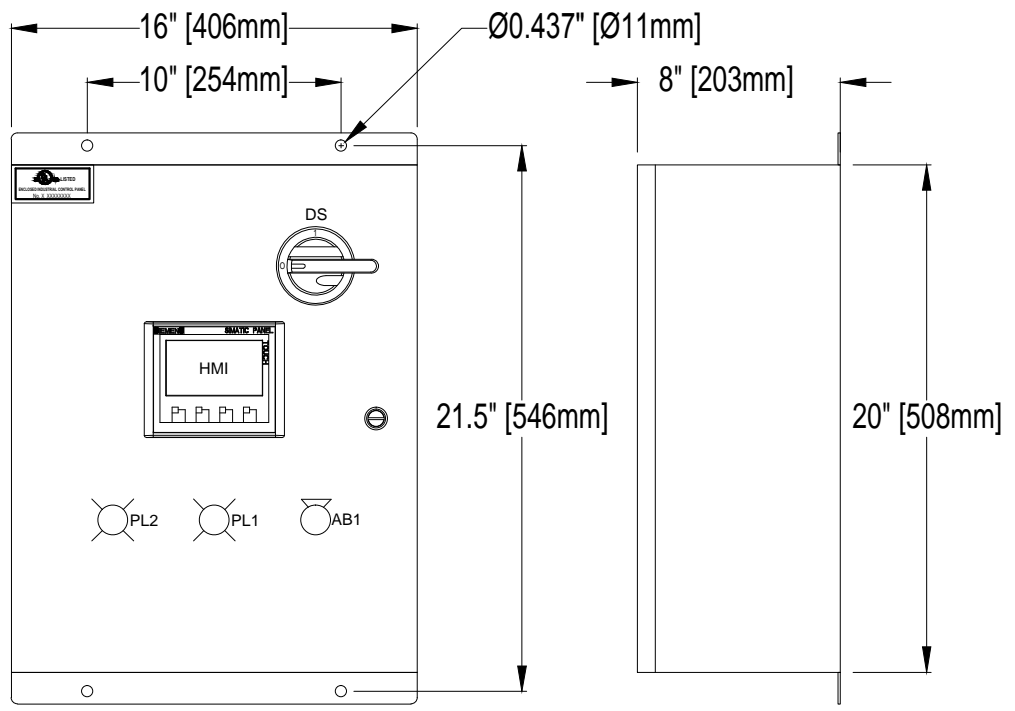


Tank Monitoring Panel

Dimensions and External Layout

Model: APA

PER QUOTE DRAWING No.		  
REV.	DESCRIPTION	
0.	FIRST ISSUE	DD/MM/YY 26/01/16
		DRAWING No. TQ-29802-SA



DESIG.	LABEL TEXT
AB1	ALARM BUZZER
DS	MAIN DISCONNECT
HMI	-
PL1	POWER ON
PL2	ALARM

NEMA/CSA 1 ENCLOSURE ASA 61 GREY