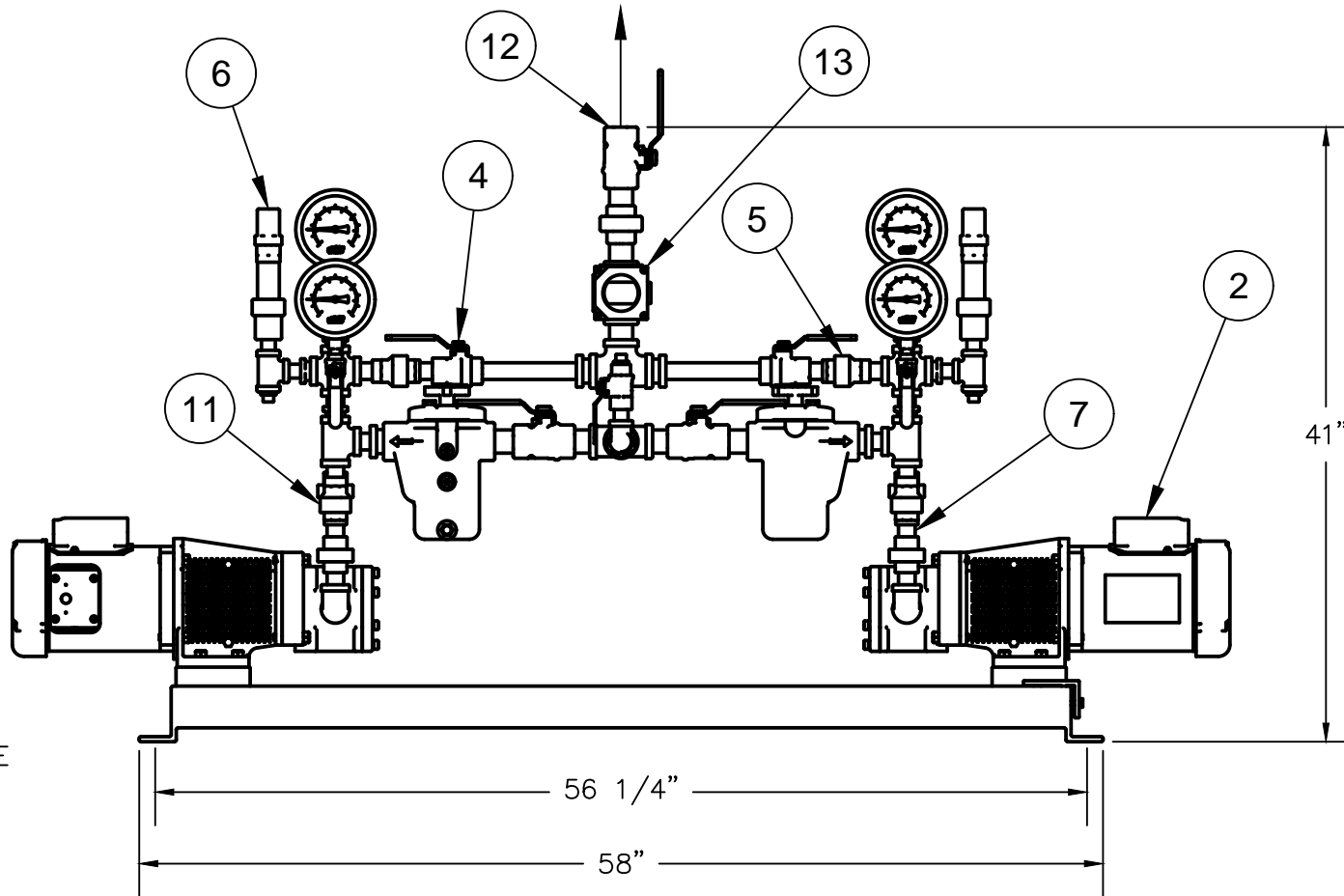


| | |
|----------------------|--|
| ALBANY PUMP CO. LTD. | |
| DRWN. SMB | 420 HARRY WALKER PARKWAY NEWMARKET, ONT. CANADA L3Y 8P5 |
| SCALE NONE | DUPLEX FUEL OIL UNIT |
| CHK'D | DUP10-SBS-A |

This drawing and the information depicted therein is the property of Albany Pump Co. Ltd. Copies are issued in strict confidence and shall not be reproduced, copied or used as the basis for the manufacture or sale of products without prior written permission of Albany Pump Co.

1" NPT
Outlet



1" FLEX HOSE
SUPPLIED LOOSE

1" NPT
OUTLET

1" NPT
INLET
FROM PUMP

ALBANY PUMP CO. LTD.

DRWN. SMB

420 HARRY WALKER PARKWAY
NEWMARKET, ONT. CANADA L3Y 8P5

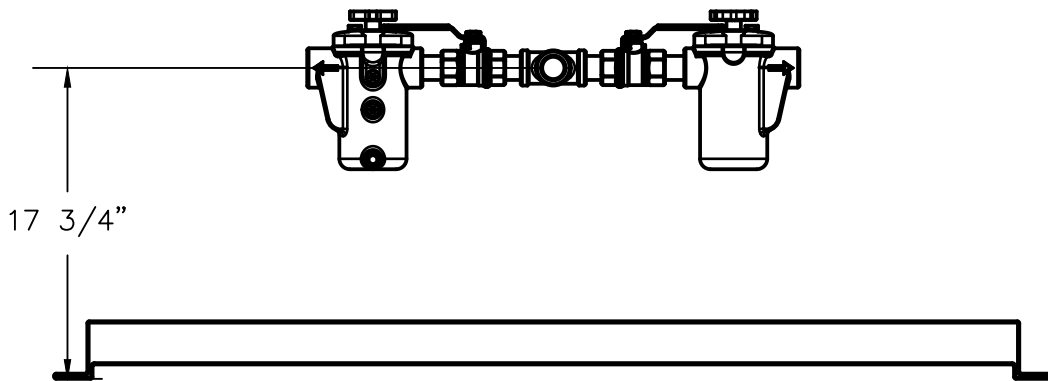
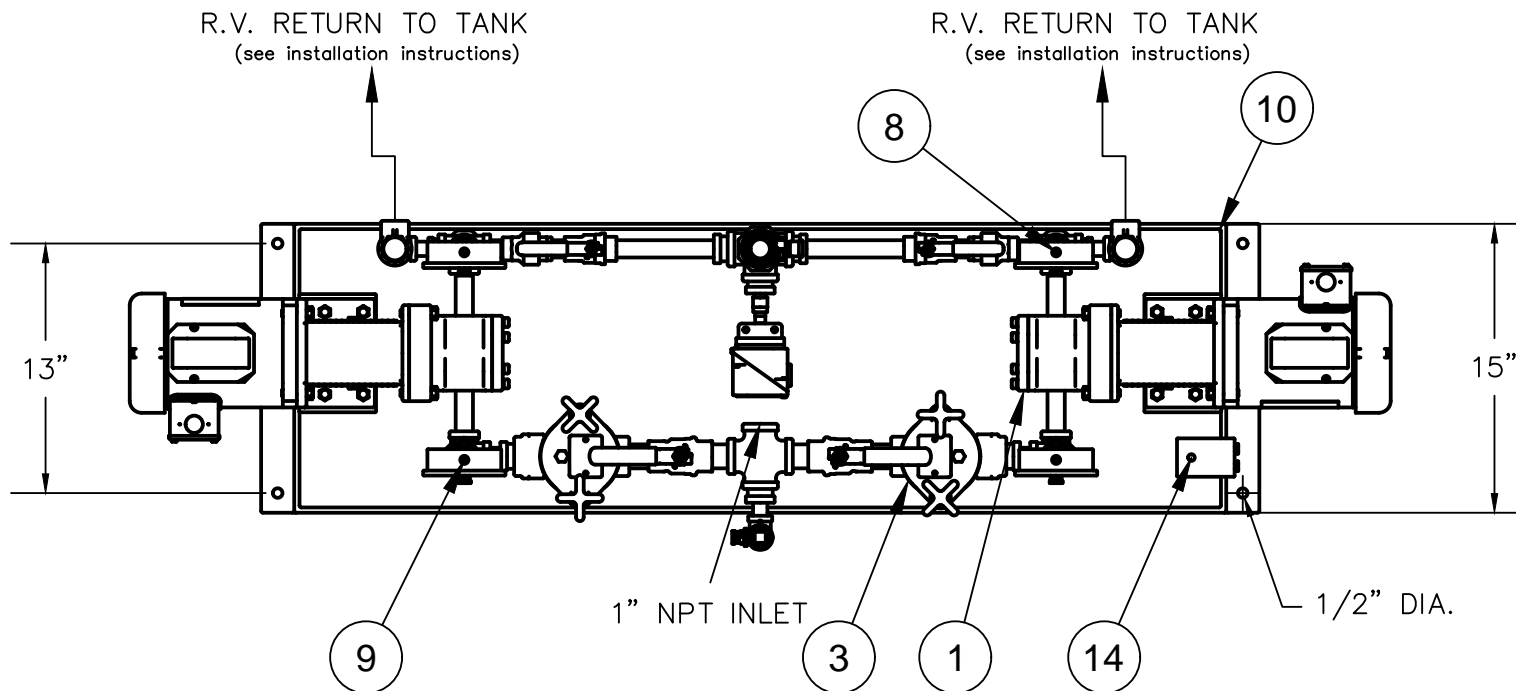
SCALE 1:10

DUPLIX FUEL OIL UNIT

CHK'D

DUP10-SBS-A

This drawing and the information depicted therein is the property of Albany Pump Co. Ltd. Copies are issued in strict confidence and shall not be reproduced, copied or used as the basis for the manufacture or sale of products without prior written permission of Albany Pump Co.



| | |
|----------------------|--|
| ALBANY PUMP CO. LTD. | |
| DRWN. SMB | 420 HARRY WALKER PARKWAY NEWMARKET, ONT. CANADA L3Y 8P5 |
| SCALE 1:10 | DUPLEX FUEL OIL UNIT |
| CHK'D | DUP10-SBS-A |

This drawing and the information depicted therein is the property of Albany Pump Co. Ltd. Copies are issued in strict confidence and shall not be reproduced, copied or used as the basis for the manufacture or sale of products without prior written permission of Albany Pump Co.