

Leak Alarm Panel



PER QUOTE DRAWING No.

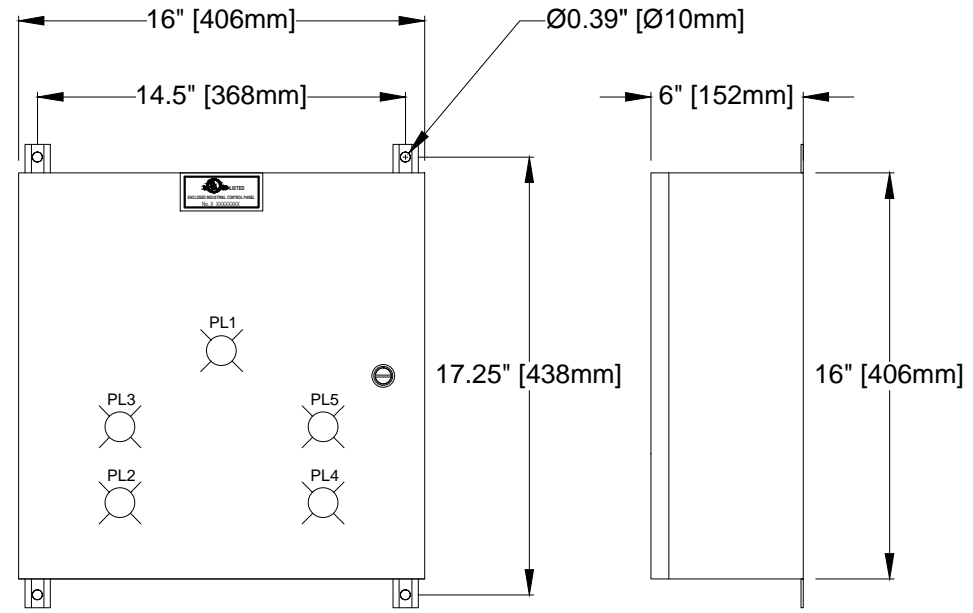


Dimensions and External Layout

Model: APA-LEAK

REV.	DESCRIPTION	DD/MM/YY
0.	FIRST ISSUE	17/03/18

DRAWING No.
Q-Z1853081-SA



DESIG.	LABEL TEXT
PL1	SUPERVISORY POWER ON
PL2	LEAK 1
PL3	LEAK 2
PL4	LEAK 3
PL5	LEAK 4

NEMA/CSA 1 ENCLOSURE ASA 61 GREY