

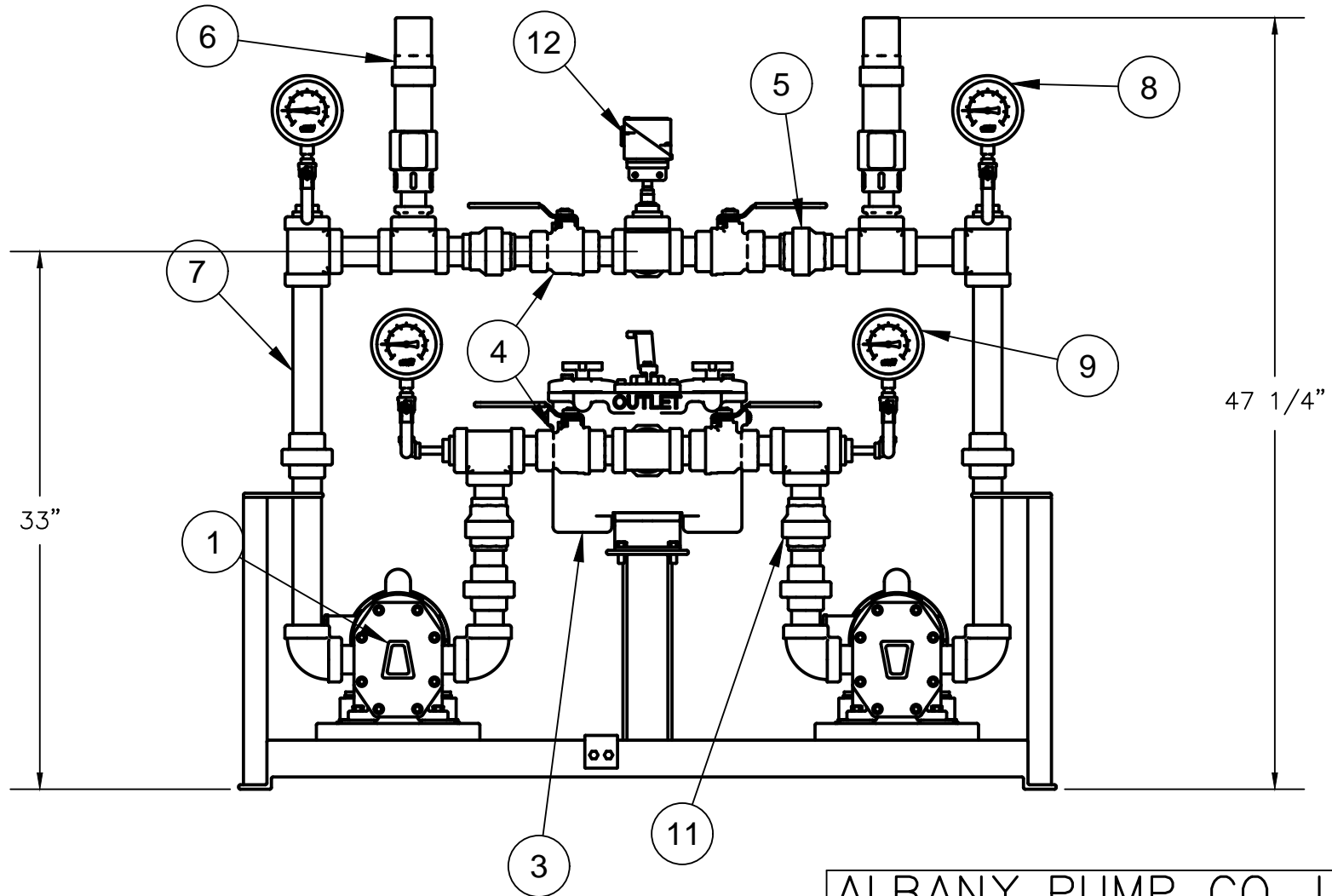
ALBANY PUMP CO. LTD.

DRWN.	SMB	420 HARRY WALKER PARKWAY NEWMARKET, ONT. CANADA L3Y 8P5
-------	-----	--

SCALE	NONE	DUPLEX FUEL OIL UNIT
-------	------	----------------------

CHK'D		DUP35-DBS-B
-------	--	-------------

This drawing and the information depicted therein is the property of Albany Pump Co. Ltd. Copies are issued in strict confidence and shall not be reproduced, copied or used as the basis for the manufacture or sale of products without prior written permission of Albany Pump Co.



ALBANY PUMP CO. LTD.

DRWN. SMB

420 HARRY WALKER PARKWAY  
NEWMARKET, ONT. CANADA L3Y 8P5

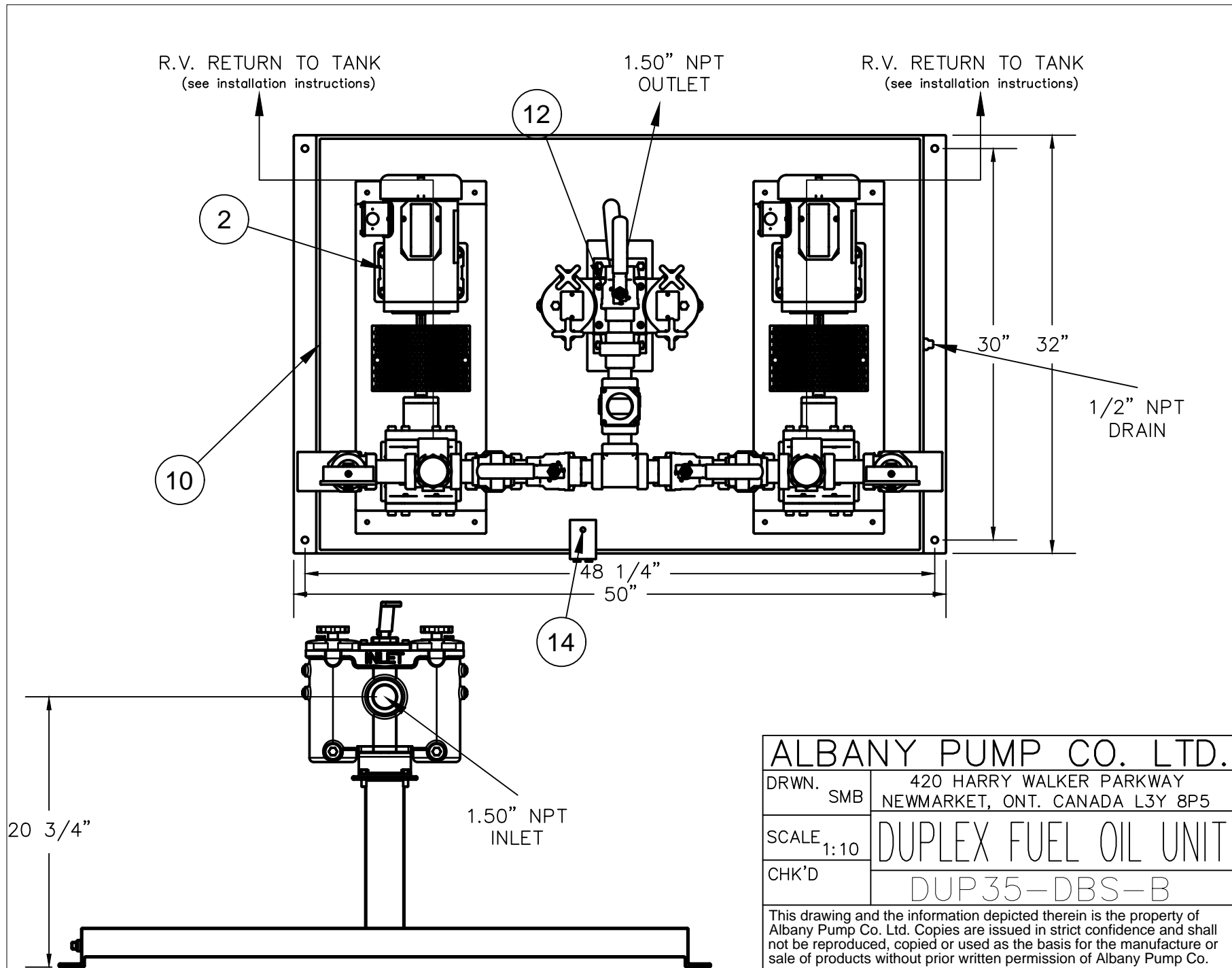
SCALE 1:10

DUPLIX FUEL OIL UNIT

CHK'D

DUP35-DBS-B

This drawing and the information depicted therein is the property of Albany Pump Co. Ltd. Copies are issued in strict confidence and shall not be reproduced, copied or used as the basis for the manufacture or sale of products without prior written permission of Albany Pump Co.



ALBANY PUMP CO. LTD.

DRWN. SMB

420 HARRY WALKER PARKWAY  
NEWMARKET, ONT. CANADA L3Y 8P5

SCALE 1:10

DUPLEX FUEL OIL UNIT

CHK'D

DUP35-DBS-B

This drawing and the information depicted therein is the property of Albany Pump Co. Ltd. Copies are issued in strict confidence and shall not be reproduced, copied or used as the basis for the manufacture or sale of products without prior written permission of Albany Pump Co.