

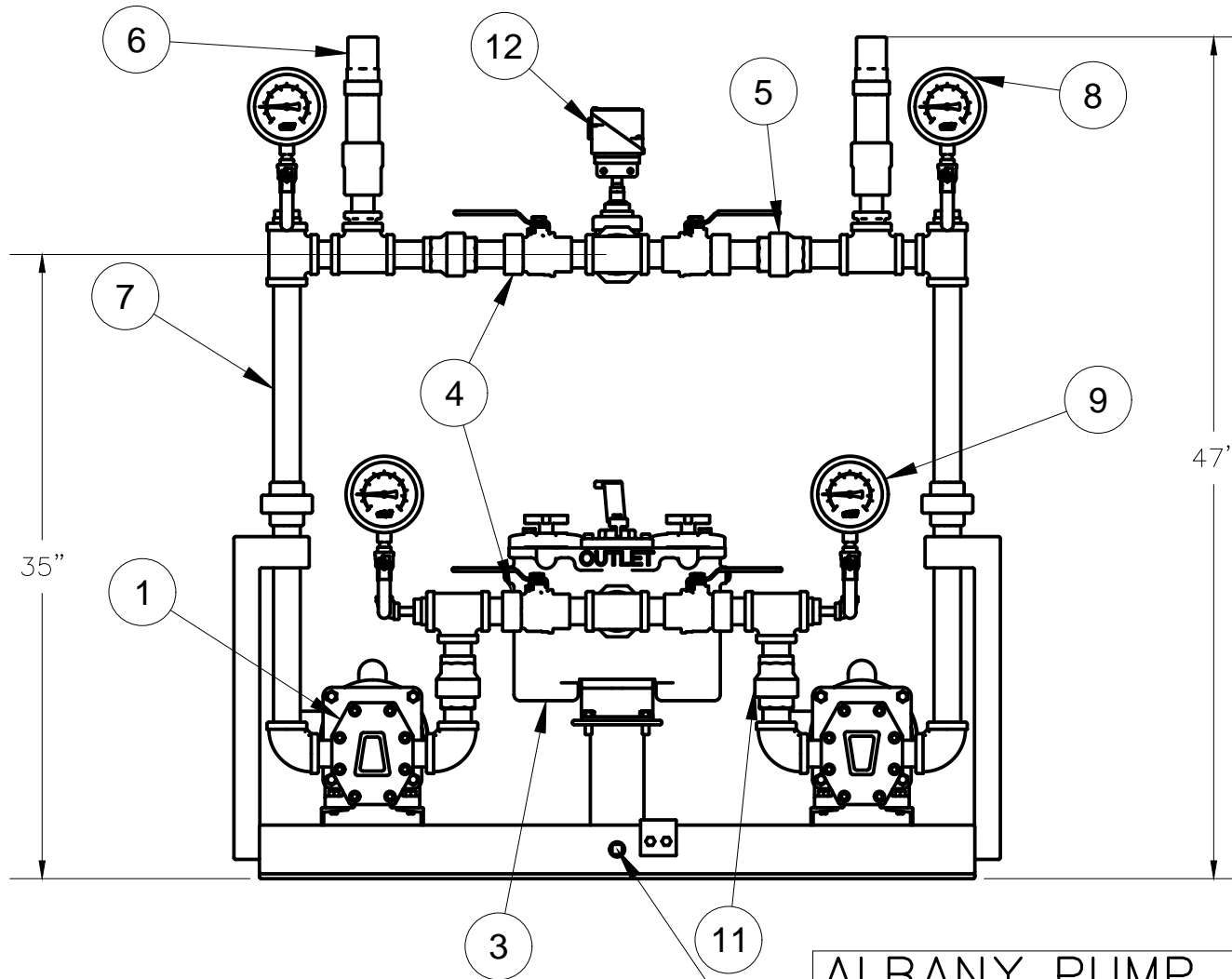
ALBANY PUMP CO. LTD.

DRWN. SMB 420 HARRY WALKER PARKWAY
NEWMARKET, ONT. CANADA L3Y 8P5

SCALE NONE DUPLEX FUEL OIL UNIT

CHK'D DUP18-DBS-B

This drawing and the information depicted therein is the property of Albany Pump Co. Ltd. Copies are issued in strict confidence and shall not be reproduced, copied or used as the basis for the manufacture or sale of products without prior written permission of Albany Pump Co.



1/2" NPT
DRAIN

ALBANY PUMP CO. LTD.

DRWN. SMB 420 HARRY WALKER PARKWAY
NEWMARKET, ONT. CANADA L3Y 8P5

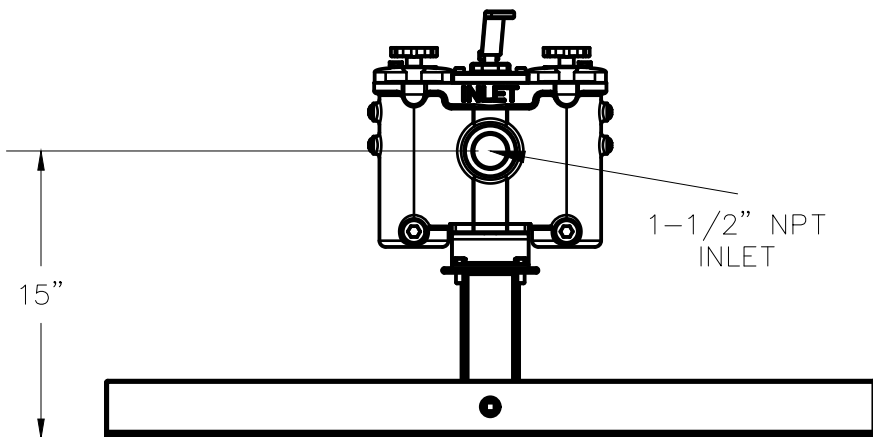
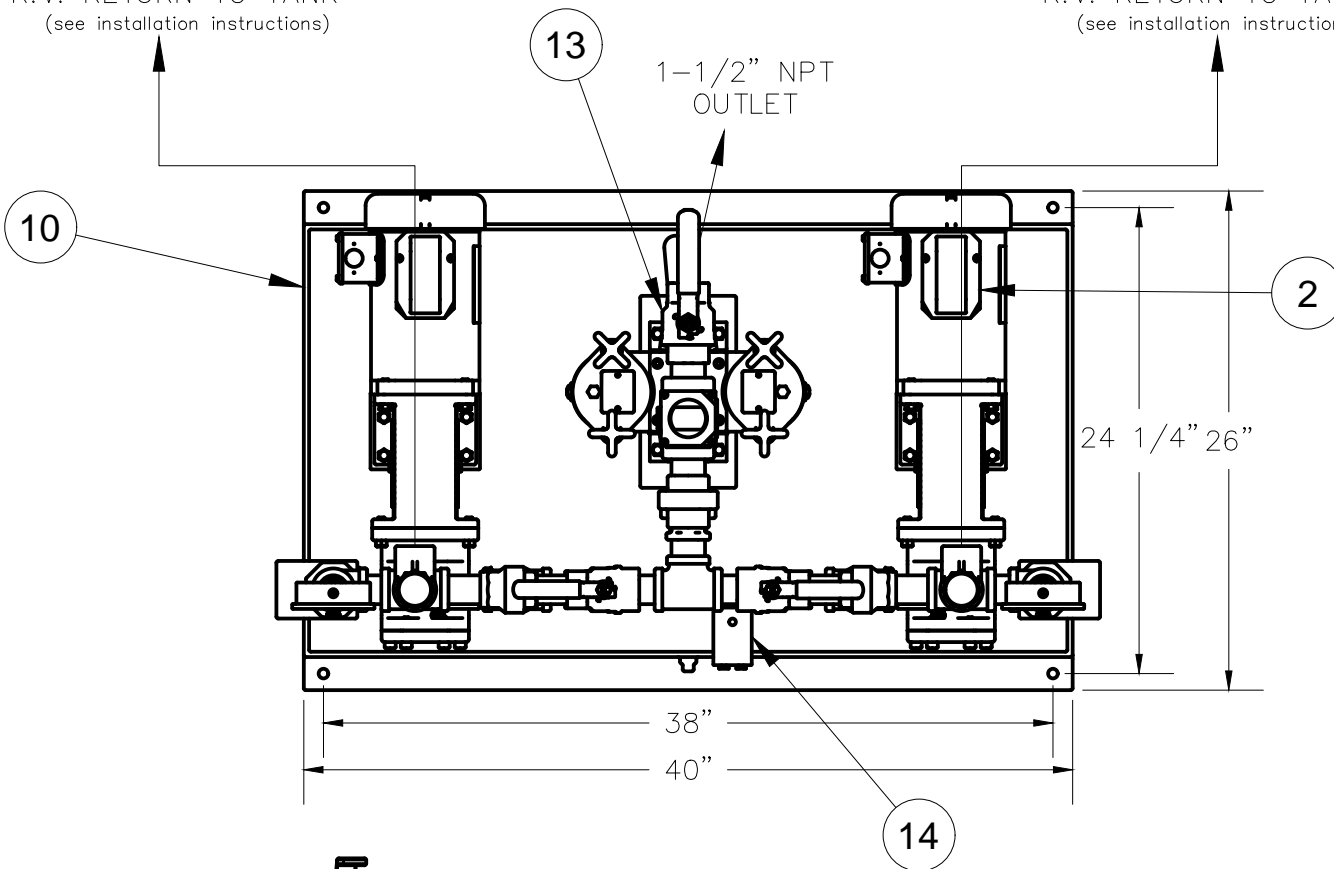
SCALE 1:10 DUPLEX FUEL OIL UNIT

CHK'D DUP18-DBS-B

This drawing and the information depicted therein is the property of Albany Pump Co. Ltd. Copies are issued in strict confidence and shall not be reproduced, copied or used as the basis for the manufacture or sale of products without prior written permission of Albany Pump Co.

R.V. RETURN TO TANK
(see installation instructions)

R.V. RETURN TO TANK
(see installation instructions)



ALBANY PUMP CO. LTD.

DRWN. SMB 420 HARRY WALKER PARKWAY
NEWMARKET, ONT. CANADA L3Y 8P5

SCALE 1:10 DUPLEX FUEL OIL UNIT

CHK'D DUP18-DBS-B

This drawing and the information depicted therein is the property of Albany Pump Co. Ltd. Copies are issued in strict confidence and shall not be reproduced, copied or used as the basis for the manufacture or sale of products without prior written permission of Albany Pump Co.