

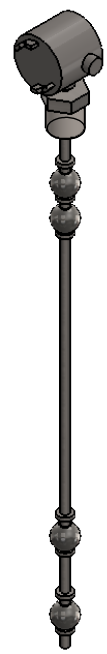
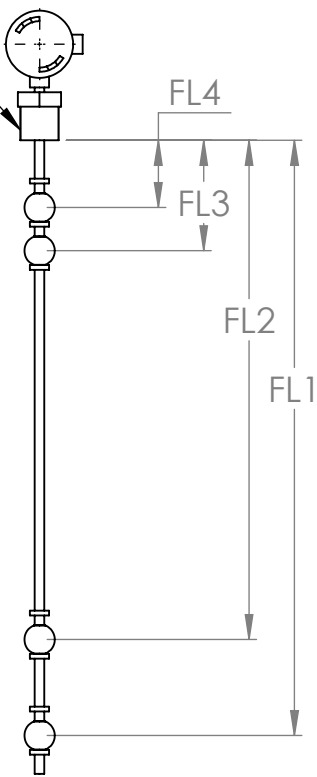
2

1

B

B

2" MNPT



FLOAT MATERIAL - STAINLESS STEEL

SWITCH CERTIFIED TO:
CAN/CSA STD. C22.2 NO. 1010-1
CAN/CSA STD. C22.2 NO. 30

CONFORMS TO:
UL1203 & ANSI/ISA S82-03

A

A

	FL1	FL2	FL3	FL4
FUNCTION	LOW LEVEL ALARM	START PUMP	STOP ALL PUMP	HIGH LEVEL ALARM
HEIGHT FROM BOTTOM OF TANK (% OF TANK DEPTH)	35%	45%	85%	90%
DISTANCE FROM BOTTOM OF TANK				
NORMALLY OPEN (NO) / NORMALLY CLOSED (NC)	NC	NC	NC	NO
WIRE COLOUR	BROWN	BLUE	GREEN	RED

ALBANY PUMP CO. LTD.

Copyright © 2016 Albany Pump Co. Ltd. All rights reserved. This drawing and the information contained or depicted herein are the sole property of Albany Pump Co. Ltd. Copies are communicated to the recipient in strict confidence and may not be retransmitted, published, reproduced, copied or used in any manner, including as the basis for the manufacture or sale of any products, without the express prior written consent of Albany Pump Co. Ltd..

TITLE:	
SIZE	DWG. NO.
	Levcon 4
SHEET 1 OF 1	

2

1